

Chassis Opportunities for the Future – Unique Actuators & Applications Solutions Made by Schaeffler

Manfred Kraus¹, Harald Hochmuth¹, Hartmut Krehmer¹, Markus Baeuml¹, Roland Langer¹, Dominik Reif¹, and Florin Dobre²

¹Schaeffler Technologies AG & Co. KG, Herzogenaurach, Germany,

²S.C. Schaeffler Romania S.R.L, Cristian, Romania

{kraus.manfred,harald.hochmuth,hartmut.krehmer,
markusbaeuml,roland.lager,dominik.reif}@schaeffler.com
florin.dobre@schaeffler.com

Abstract. The actual technologies in terms of driver assistance and the future technologies of autonomous driving, brings forward the need of mechatronic chassis systems. In the 1990s Schaeffler began development of mechanical actuators (ball screw drive, small planetary gear,cylindrical gear units and the bearing support for the entire module) for electromechanical brakes. Nowadays the Electromechanically Active Roll Stabilizer already defined his presence on the market. Within this paper are presented Schaeffler's unique solutions for all this challenges in the area of vehicle roll stabilization, ride height adjustment, steering, damping and wheel bearings.

Keywords: electromechanical actuator, chassis systems.

1 Introduction

When it comes to developing chassis, today's challenges go far and above the traditional conflict of having a comfort-based and sportive set-up. A whole host of benefits is associated with electrification of the chassis. The actual technologies in terms of driver assistance and the future technologies of autonomous driving, brings forward the need of mechatronic chassis systems. Above that, the emission regulations calls for energy efficient systems. From this point of view the electromechanical actuator comes with the advantage of power on demand and higher efficiency compering with electro-hydraulic systems. Last, but not least cost efficient systems is nowadays a big challenge of the market.

In the 1990s Schaeffler began development of mechanical actuators (ball screw drive, small planetary gear and cylindrical gear units and the bearing support for the entire module) for electromechanical brakes.

Nowadays the Electromechanically Active Roll Stabilizer (emARS) already defined its presence on the market. Figure 1 shows the technologies and their penetration in the individual vehicle segments.

Characteristic	Function	Segment				
		A Sub A	B B-SUV	C C-SUV	C/D CD-SUV	D D-SUV
Lateral dynamics	Electric steering	S	S	S	S	S in future
	Anti-roll system				O	O
	Rear-wheel steering				O	O
	Superimposed steering				O	O
	Torque vectoring					O
Vertical dynamics	Variable dampers		O	O	O	S
	Air springs				O	S/O
	Level control		O ²⁾	O ²⁾	O ²⁾	
	ABC (active body control)					S/O
Longitudinal dynamics	Electronic parking brake		S/O	S	S	
	Electronic brake booster	S ¹⁾	S ¹⁾	S ¹⁾	S in future	S in future
Driver assistance system	Lane departure warning			O	O	O
	Emergency braking assist		O	O	O	O
	Traffic jam assist			O	O	O
Self-driving vehicles					2017/18 ³⁾

S = standard feature ¹⁾ will be standard feature on electric vehicles ²⁾ Semi-self-driving
O = optional feature ³⁾ SOP = 2017 onwards

Fig. 1. Chassis technologies and their penetration in various vehicle segments

1.1 Requirements of chassis of the future

Stringent requirements regarding CO2 reduction also mean that chassis technology will have to utilize the potentials provided by lightweight construction, friction reduction and more efficient actuators [1]. This is accompanied by the use of new materials or existing materials with optimized characteristics in terms of rigidity and strength. What’s more, many chassis systems are also used as a way of making vehicles stand out within a platform. Figure 2 shows an overview of the current trends.

Drivers	Urbanisation		Product differentiation	
Trend	Reduction in CO ₂ emissions	Affordable travel	Comfort and safety	Driving pleasure
Measures	e-mobility/hybridisation	Platform strategy	Self driving vehicles	Extension of platform strategy functions
	Friction reduction	New chassis layouts/concepts	Network/connected driving	New chassis applications
	Lightweight design	Cost optimised solutions	New vehicle concepts	New vehicle concepts
	Demand-based control	Car sharing	New chassis applications	
	Energy recuperation		Technology aimed at older drivers	

Fig. 2. Trends in chassis technologies

Nowadays, buzzwords such as connectivity, autonomous or semi-autonomous driving have a considerable bearing on chassis development [2]. Related to this development is, ultimately, a modified safety strategy; for instance extended latency periods requiring the basic mechanical function to be protected. This protection may also necessitate enhanced or additional redundancy/safety state. In light of these possibilities, new requirements will be demanded of existing actuators.

What's more, actuators, sensors and systems are increasingly networked to generate new overarching functions, to increase availability and to improve safety. This could be achieved, for instance, by a mutual plausibility in the context of a safety concept according to ISO 26262. Key elements of the future thus include cameras, sensors, antennas, as well as corresponding software for networking in the vehicle and with the environment [3]

Of key importance is the increase in the use of camera and radar-based as well as laser-based systems. These systems include polarizing and infra-red cameras, in addition to stereo ones. Used in combination with information regarding temperature and humidity, it is possible to detect aquaplaning and black ice.

2 Current Schaeffler Solution

2.1 Weight reduction products

In the wheel bearing area, the market has seen a gradual introduction of lightweight construction solutions with face spline and weight-optimized flange design. The technology is becoming increasingly popular and is well on the way to setting a new industry standard in the foreseeable future – a standard that Schaeffler will have created. Figure 3 shows a comparison of a third-generation wheel bearing in its previous design and one with face spline.

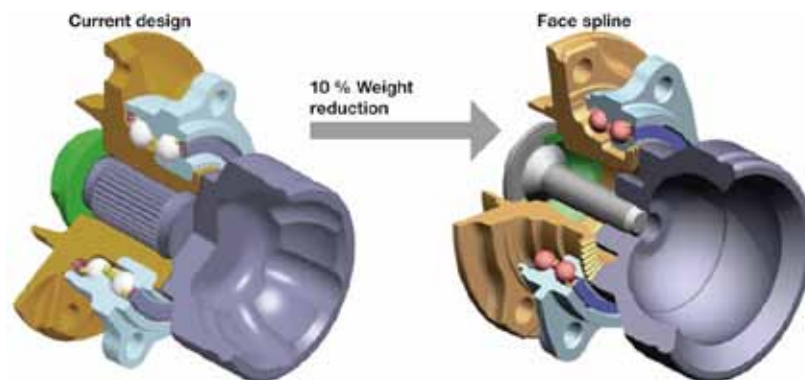


Fig. 3. Wheel bearing with face spline design compared with actual internal gear teeth design

The benefits from this technology, such as 10 % rigidity increase, 10 % weight reduction, 50 % higher transferable torque as well as a reduction in unsprung mass yet still with simple assembly process, have been utilized in series applications since 2009.

An additional measure for reducing weight comes about by cutting the bearing flange weight while maintaining its rigidity. By applying numerical procedures, it has already been possible to make weight reductions of 20 % without compromising the axial rigidity. Figure 4 shows a wheel bearing with a weight-optimized flange compared with a conventional bearing flange.

The result is optimized tension curves, which have also been used as a basis for an enhanced fiber flow of the flange. It is feasible to use driven and non-driven axles.

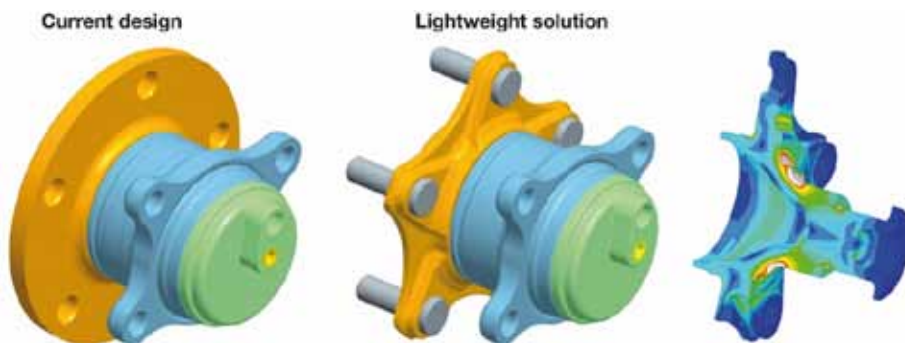


Fig. 4. Comparison of a current wheel bearing with weight-optimized flange

2.2 Friction reduction products

Seal friction determines wheel bearing friction to a great extent, which is why it makes sense to start there with measures designed to reduce friction. The wheel bearings offered by Schaeffler can be fitted with low-friction seals, which reduce friction by around 50 % compared to seals offered by competitors. This 50 % reduction thus makes it possible to cut CO2 emissions by around 1 g/100 km. It is worth mentioning that the sealing effect is still the same compared with today's conventional two and three-lip seals (Figure 5).

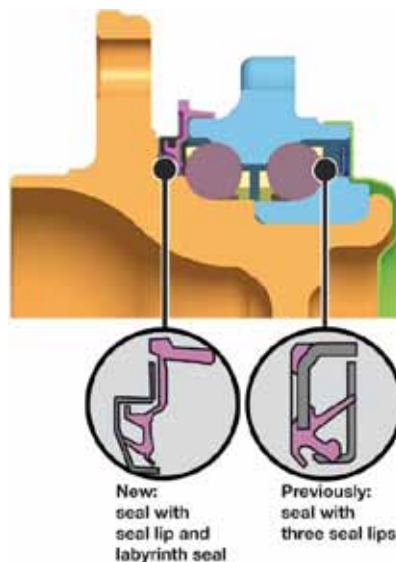


Fig. 5. Comparison of conventional seal with a friction-reduced seal

2.3 Mechanical actuators with ball screw drive for chassis applications

Many linear actuators are equipped with a ball screw drive as a mechanical actuating element. Schaeffler launched a ball screw drive for electromechanical power-assisted steering on the market as far back as 2007. This steering ball screw drive is designed along the lines of the principle of modular design and can cover a wide range of applications. It provides a virtually constantly high degree of efficiency of more than 90 % over the entire temperature range and is supplied together with a four-point support bearing. Ball screw drives and support bearings designed to meet customer requirements of minimized backlash can be provided.

In parallel to this, a compact ball screw drive with a pitch diameter of up to 4 mm has been developed; this compact version has been used by Continental in its electric parking brake since 2011. Other applications based on this design are currently in the development phase — for instance, application in the electromechanically operated brake booster. Figure 6 shows other potential applications for the compact ball screw drive.

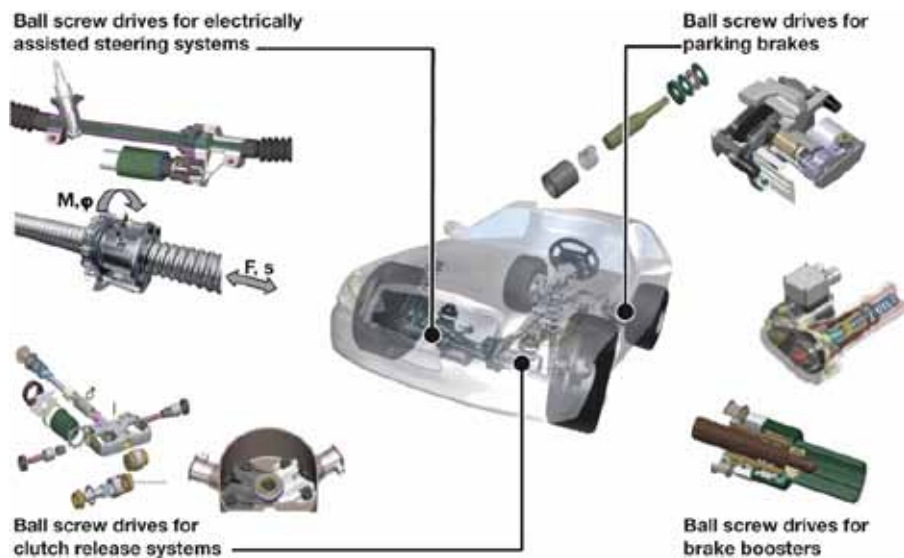


Fig. 6. Overview of ball screw drive applications

2.4 Electromechanical Active Roll stabilizer – emARS

Over the last few years, Schaeffler has played its role in driving the replacement of hydraulic with electromechanical systems thanks to developing an electromechanical anti-roll system. Series production of this system started in 2015. The benefits offered by the system are:

- Little or no tilting of the vehicle when cornering as a function of the present lateral acceleration
- More accurate steering behavior, improved agility and stability
- Enhanced system dynamics compared to hydraulic systems
- Simple installation and easy maintenance
- Reduction in the number of field complaints by up to 30 % compared to hydraulic systems
- Installation in hybrid vehicles possible
- Reduction in fuel consumption of up to 0.3 liters compared to hydraulic anti-roll systems, and
- Weight neutral compared to hydraulic systems

The system comprises a brushless direct current motor with control system, transmission, torsion bars and a decoupling unit (Figure 7).

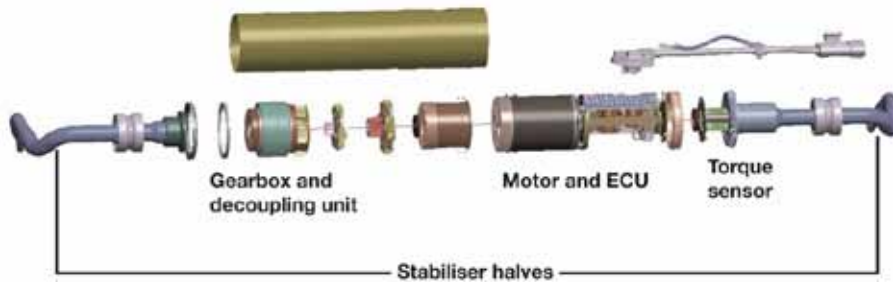


Fig. 7. Design of the anti-roll system

The E/E architecture is shown in Figure 8.

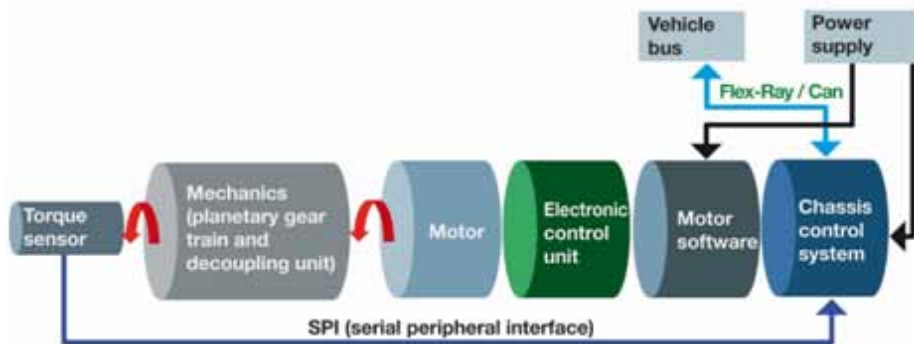
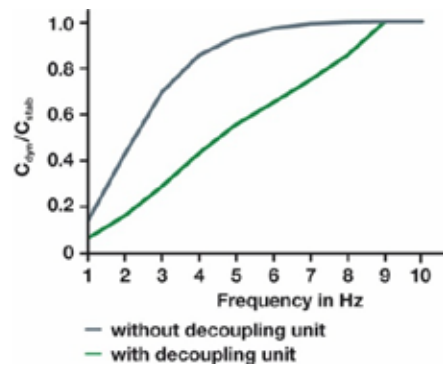


Fig. 8. System Architecture

To complement a pure rotary actuator and to enhance comfort, the Schaeffler solution features a decoupling element, which enables one-sided disruptions in the road surface to be absorbed. Transmitting pulses to the body is thereby also reduced as well as strong vertical motion caused by one-sided disturbance excitation. Design and function of the anti-roll system are explained in detail in [4] and [5]. The effect of the decoupling unit for small disturbance excitations is shown in Figure 9.

The decoupling unit demonstrates excellent efficiency particularly for small disturbance excitations with an amplitude of up to 5 mm. Larger disturbance excitations can be corrected by the disturbance controller.



As the input parameter, this controller requires different functions, including the torque in the anti-roll system and the vertical displacement of the wheels.

Fig. 9. Dynamic system as a function of the frequency of the one-sided disturbance excitation for systems with and without a decoupling unit

The overall controller structure is shown in Figure 10.

The interference can be corrected up to a frequency of approximately 8 Hz. The maximum frequency depends on the amplitude. If the information about the road surface collected by a stereo camera is available as the input signal and information from the navigation system about the route can be used, the disturbance controller can be improved still further by means of anticipation.

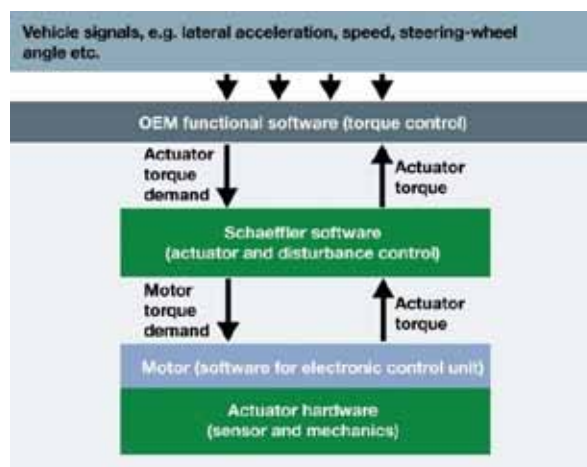


Fig. 10. Block diagram of the emARS

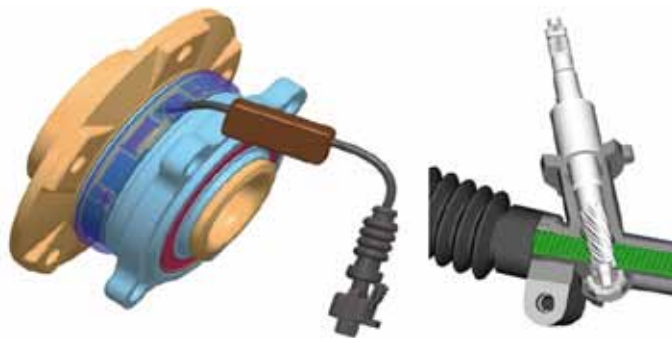
Alternatively, the body tilt and the effect of one-sided disturbance excitation on the body can also be prevented by hydraulically adjustable struts on each wheel. In addition to the anti-roll motion, this kind of system also prevents a pitching motion during braking and accelerating. However, this does not apply to air-sprung systems on account of the compressibility of air.

3 Future Schaeffler Solution

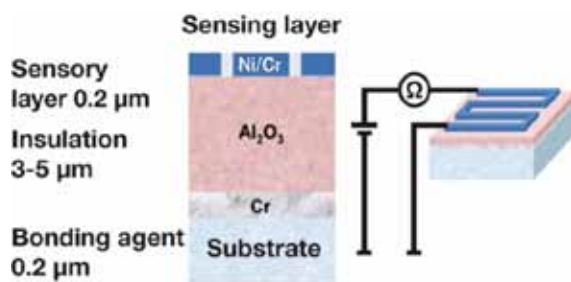
3.1 Sensor layer for measuring wheel force

Schaeffler is currently developing a sensor layer for measuring wheel force; this layer can be applied to two or three-dimensional components such as bearing components. Figure 11 shows several examples of applications.

Fig. 11. Sensor layer for measuring the wheel force at the wheel bearing (on left) and for measuring the steering moment in the steering gear.



Application to the wheel bearing enables the wheel force to be measured and thus record the forces acting on the wheel, including the brake forces generated during braking. These forces can be used as an input signal for various chassis control systems. The wheel force measurement being developed at Schaeffler also enables accurate recording of the vehicle weight, which may be of interest for light commercial vehicles.



The measurement principle is based on the arrangement of strain gauges on a two-dimensional or three-dimensional tensioned surface. The strain gauges are attached using thin-film technology. The basic layer design is shown in Figure 12.

Fig. 12. Sensor layer design.

The geometry of the strain gauges is “cut” into the sensor layer using laser, with a top cover attached to protect the sensor layer. To illustrate the technology, Figure 13 shows an applied sensor layer using a bearing outer ring as an example.

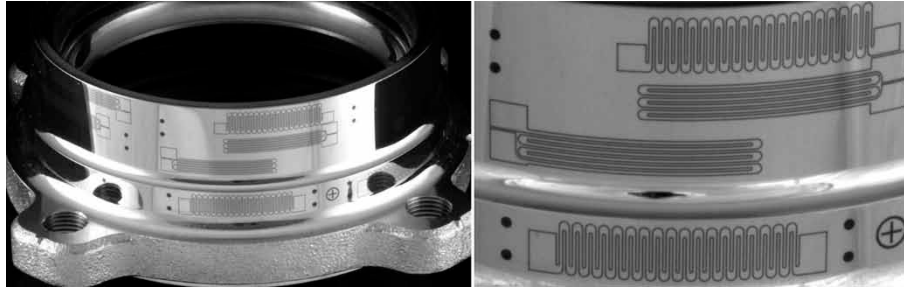
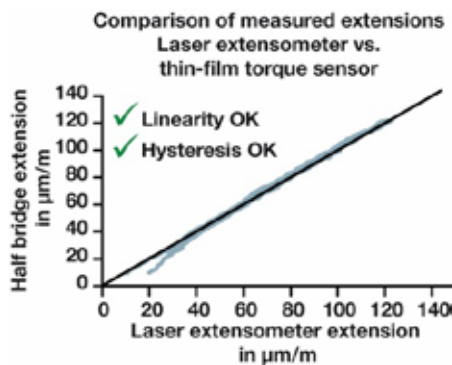


Fig. 13. Sensor layer on a bearing outer ring

As proof of the measurement accuracy, it is helpful to compare this layer with a laser extensometer. Experiments with planar samples, which were stretched on a traction engine and their elongation in synchronously recorded with the sensor layer as well as



using the laser extensometer, have provided fairly good correlation (Figure 14).

The past few years have seen that the process reliability of the individual process steps has been systematically demonstrated and increased. Currently, preparations for winning projects and customers are being ramped.

Fig. 14. Comparing the elongation of planar samples with the sensor layer.

3.2 Ride Height Control

In today's vehicles, air suspension is used to adjust the ride height to various driving and load conditions. This suspension system can inherently absorb very poor lateral forces and is therefore not well-suited to McPherson strut axles. In addition, the costs for air springs are another reason the system has not become established in the B and C segments. Hydraulic height adjustment systems are used in the sports car sector, in particular on the front axle to make it easier to drive over ramps [6]. The tendency of markets towards potentially failure sensitive hydraulic actuators is to oppose further proliferation of this technology. There is therefore a need for electromechanical systems designed to adapt the ride height.

The following functions can be supported by this kind of system.

- Lowering the vehicle to reduce aerodynamic drag either on all four wheels or only on the front axle to bring a laden car back into the trim position
- Raising the vehicle to make it easier to get in
- Raising a sports car to protect the spoiler when driving over car park ramps
- Raising vehicles for light off-roading, as well as
- Lowering the vehicle to make it easier to load the luggage compartment

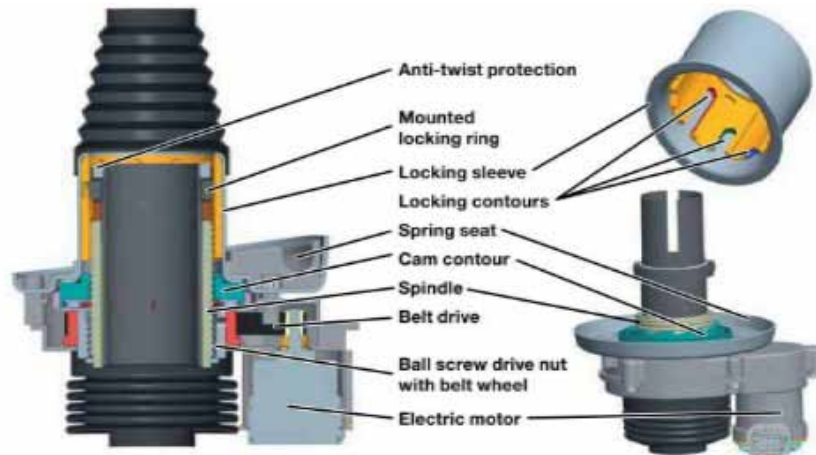


Fig. 15. Ride Height Control actuator for front axle.

The solution developed by Schaeffler is shown in Figure 15.

The actuator essentially comprises a ball screw drive, a belt drive, an electric motor and a locking assembly. In this case, the vehicle load is not supported on the ball screw drive but on the locking assembly, which locks the vehicle's ride height. The ball screw drive itself is only used to adjust the different heights. Figure 16 shows a detailed view of the locking assembly.

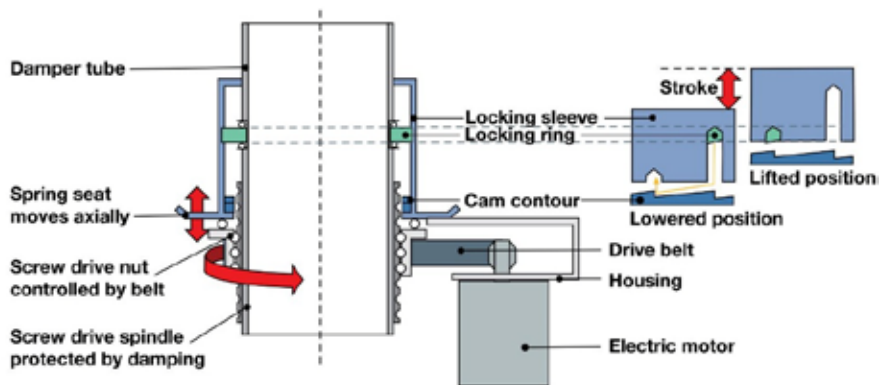


Fig. 16. Locking assembly in detail.

The spindle is fixed on the damper to raise and lower the vehicle, while the nut is driven by a belt. The nut rotating leads to an axial displacement of the unit comprising the nut, control contour, motor, housing and spring seat, and this is what changes the ride height.

To lock the height, the locking ring engages in different locking contour grooves depending on the position when lowering. This action maintains the vehicle at the required level. As the vehicle is offset in any position on the locking ring, the drive and spindle lock remain load-free in the locked state (Figure 17).

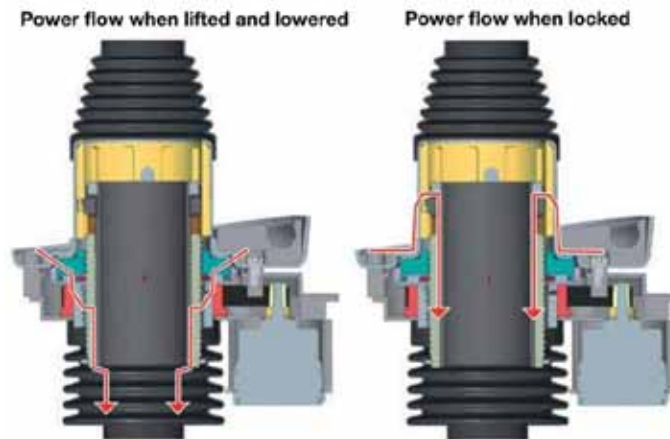


Fig. 17. Power flow during raising, lowering and locking

To aid a better understanding, the three different ride heights and resulting design positions of the actuator are summarized in Figure 18. The number of grooves determines the possible ride height. A third groove means that a central position can also be realized.

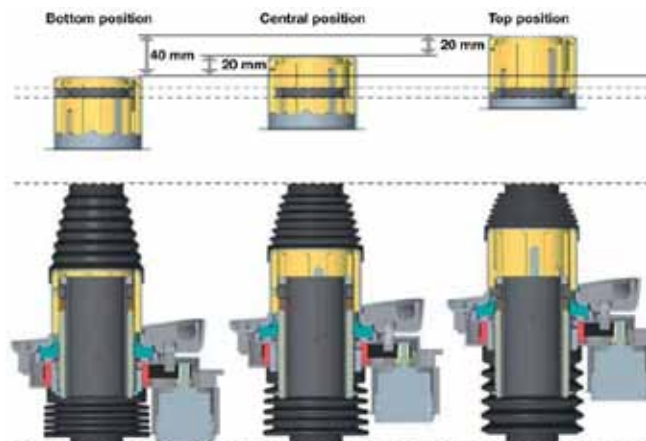
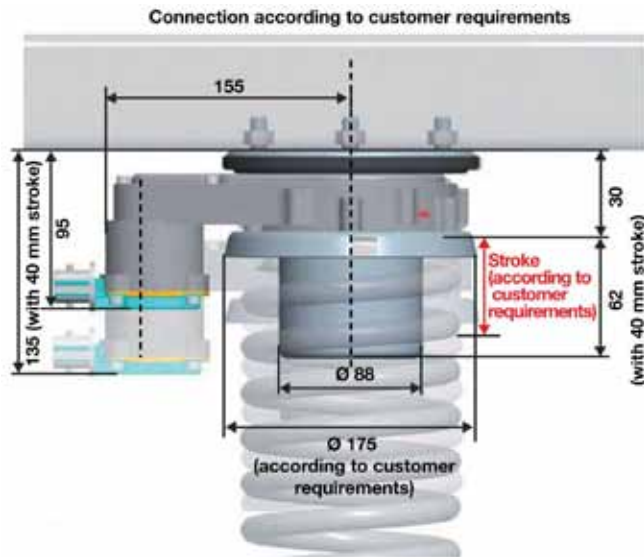


Fig. 18. Position of the actuator at different ride heights

The current engineering knowledge enables adjustment ranges of 40 mm,



which can be extended even further depending on the available space. The selected design also allows installation on the rear axle, where dampers and springs are often arranged separately. The only action needed to accommodate this installation is to merely rotate the motor by 180° (Figure 19).

Fig. 19. Installation position of the actuator on rear axle

For E/E implementation, E/E components are already available on the market. Selected ECU includes two power stages, they can control two electric motors simultaneously. The resulting system architecture is shown in Figure 20.

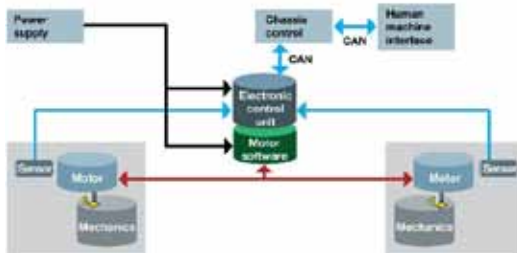


Fig. 20. System architecture

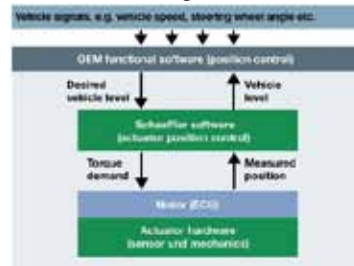


Fig. 21. System architecture

The proposed system configuration can be seen in Figure 21.

By virtue of the actuator design, selected system architecture and proposed system configuration, the market is filled with diverse and promising applications. Preparations are currently underway to construct test vehicles this year.

3.3 Camber and Toe-in Actuator

The approach taken by Schaeffler for camber and toe-in actuation is based on an eccentric drive, which is mounted to the rear axle carrier that can be designed as an individual wheel actuator [7]. Figure 22 shows the mechanical concept.

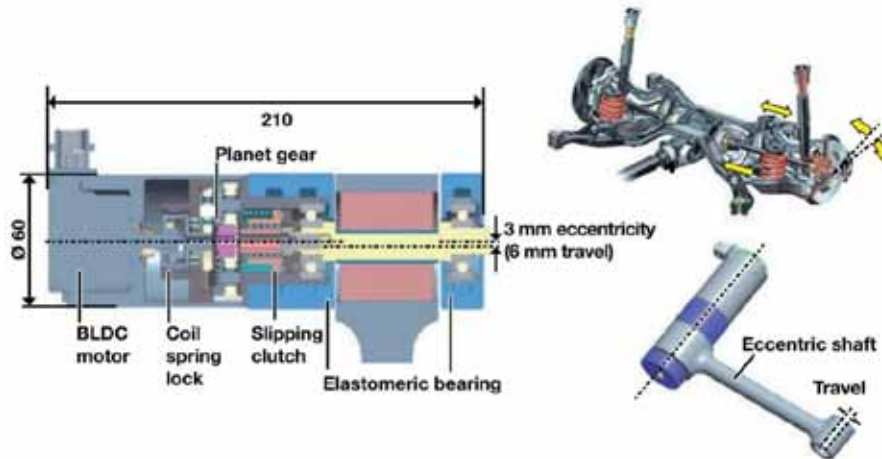


Fig. 22. Design of the eccentric actuator for use on the rear axle carrier

The axle-side actuator provides actuation of the toe-in and/or support arm. The actuation speed and force are based on the power of the selected drive. The actuation travel is a function of the underlying eccentric feature. The E/E architecture uses the E/E components familiar from the level adjustment system with two integrated power stages to control two electric motors. This results in the following actuator characteristics:

- Actuation travel = 6 mm in the case of this eccentricity of 3 mm,
- Maximum actuation time < 2 s
- Maximum actuation load 5 kN
- Actuator diameter < 65 mm

To reduce the engine speed, a worm wheel or planetary gear train can be used. Another feature of the drive is its overload clutch, as well as mechanical short circuit to protect the bearings. Furthermore, the actuator can be integrated into an elastomer metal cartridge on request.

Previous customer feedback indicates that the market is looking for an alternative to the linear actuator on the rear axle. This alternative does not always need highly dynamic actuation. The stated actuation time of 2 seconds for toe-in actuation with a noticeable reduction in turning circle is usually sufficient. Current plans are to kit out a prototype vehicle this year.

3.4 Stabilizer disconnect

In the course of developing the anti-roll system further, a Stabilizer bar is opened for driving in a straight line and closed when cornering. Thus, a quasi-static tension state is produced when cornering. When driving in a straight line, however, the stabilizer is open and rolling movements of the bodywork for the reciprocal disturbance excitation through the road to the opposite side of the vehicle, are suppressed.

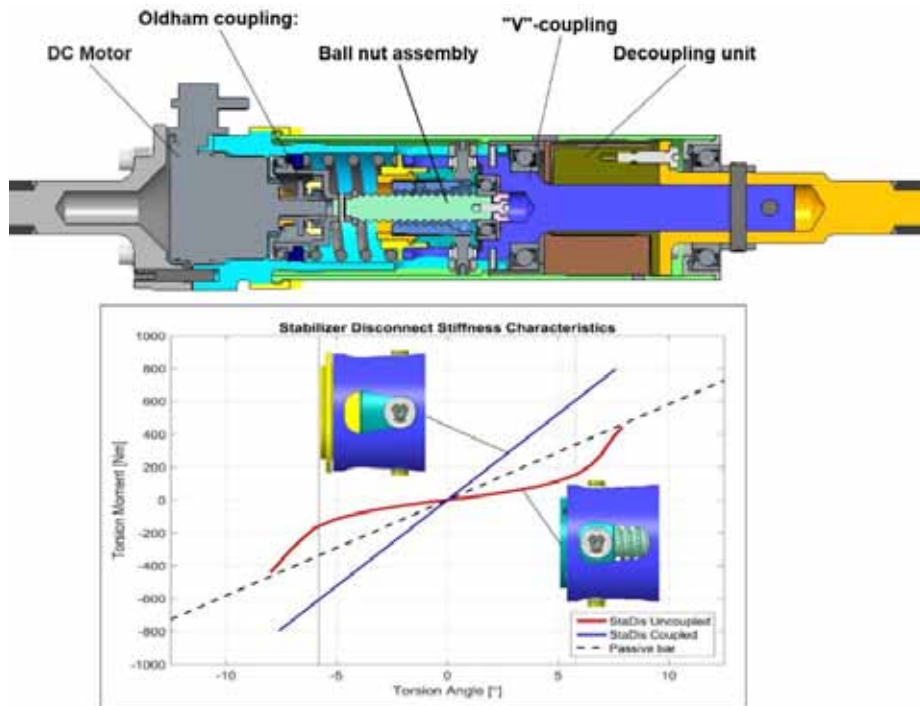


Fig. 23. Stabilizer Disconnect

In order to significantly reduce the vehicle's rolling angle when cornering, the stabilizer rigidity is increased by more than 20 % compared to a passive stabilizer. The design for this type of anti-roll system is shown in Figure 23.

In this design, the clutch is actuated via electromechanical linear actuator (consisting of electric motor, ball screw), such as depending on the steering angle and vehicle speed and other vehicle status parameters. The functional principle of the clutch is based on a locking device developed at Schaeffler, the design of which is also shown in Figure 23.

The current engineering knowledge has a weight of 6.5 kg without stabilizer halves. Compared to the design used in series production, this equates to a weight reduction of more than 50 %. If the stabilizer halves are not designed as steel pipes, but in glass fiber reinforced plastic, this produces a potential total weight of the entire actuator of around 7 to 7.5 kg.

3.5 Switchable wheel bearing

Schaeffler has developed a triple row wheel bearing to reduce friction compared to the tapered roller bearings used in general and for higher wheel loads. This bearing features two equally tensioned rows of balls. To further reduce friction, the bearing can be designed such that only the outer rows of balls are used when driving in a straight line, and the central row is engaged when cornering. This is done by specifically changing the bearing preload, as shown in Figure 24.

Only the outer rows of balls are loaded when driving in a straight line; the central row is not loaded. When cornering, the central row (which is designed a four-point contact bearing) is engaged in order to support the drive performance in the bend by providing the required high level of rigidity. To this end, only a few oversized balls are fitted in the four-point contact bearing, which means that the remaining balls in the cage have clearance and reduce friction when driving in a straight line. When cornering, these balls are in contact and then absorb the required forces. Initial simulation results show an additional reduction in friction of more than 25 %.

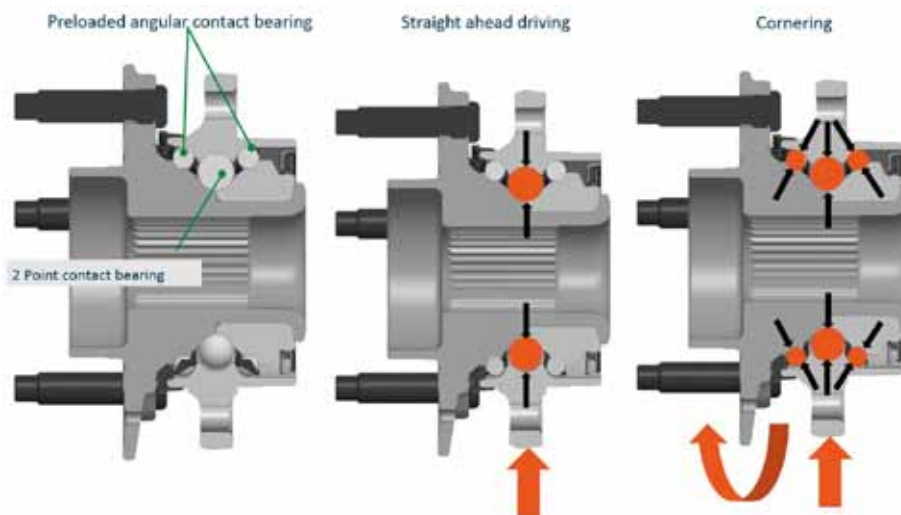
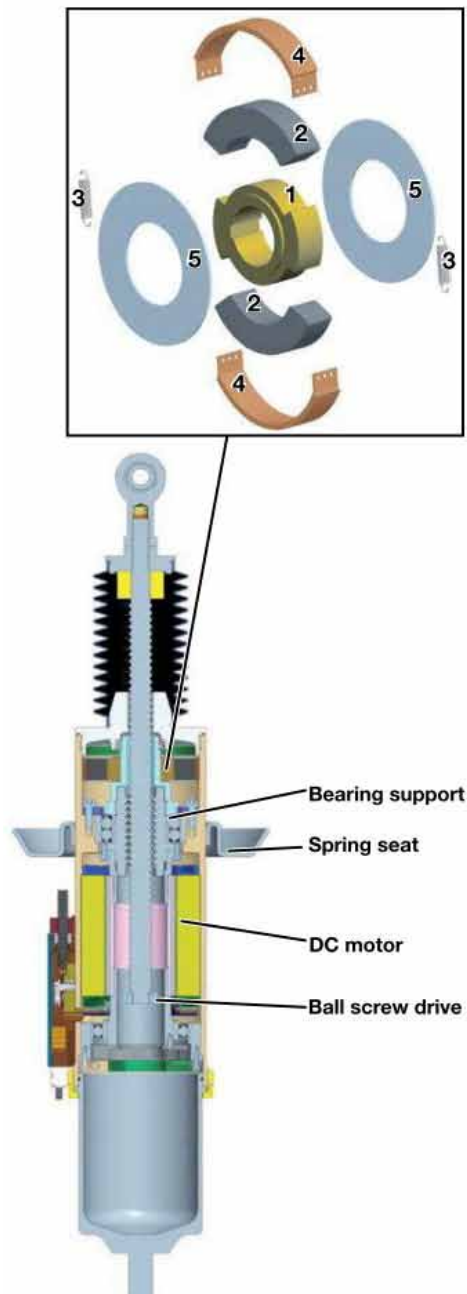


Fig. 24. Switchable wheel bearing with offset outer row of balls

3.6 e-Suspension

One possible approach of realizing an active, or at least partially active, chassis is produced by using an electromechanical damper; this damper simultaneously works as an actuating element and actively feeds forces into the chassis. The idea of being able to utilize the lost energy of vehicle damping has been explored for over 20 years; the result is to use a brushless direct current motor using a ball screw drive to transfer the vertical motion of the wheel in a rotational motion of the rotor, thereby recuperating the damping energy [8].



What's more, this kind of damper provides the prerequisite for optimizing the damping characteristic curves beyond the options offered by the hydraulic system [9]. At the same time, it forms the basis for realizing a (partial) active suspension. Previous solutions show an unfavorable cost-benefit ratio and are also difficult to integrate into the space available. In addition, other requirements, such as overload capability or the response characteristic for small excitations, have prevented further development in this field.

Schaeffler is continuing to develop an actuator, which will fit as far as possible in the existing space of a hydraulic damper that offers a better cost-benefit ratio than previous solutions as well as improved overload capacity. The basic configuration of the damper comprises a brushless direct current motor, a ball screw drive with bearing arrangement and a damper pipe (Figure 25).

The wheel module with McPherson strut is excited vertically through the road surface. This translation is converted in the damper to a rotation and damped by the regenerative operated electric motor. A centrifugal brake is used to slow down the rotor rotation in the electric motor in the event of large pulses. The design of the electric damper is based on the characteristic curve of the damper during a suspension and rebound of a hydraulic damper as well as being based on the physical limits of the electric motor in generator mode (Figure 26).

Fig. 25. Design of e-Suspension

To obtain basic findings, Schaeffler designed an electric damper (identical to the one seen in Figure 25) and tested it on the test rig. The findings for four different road surfaces (A, B, C, D) are shown in Figure 27; the amplitude and speed increase in alphabetical order. Significant regenerative power is achieved with excitation profile C and D, but is more likely to be achieved on poor roads or when off-roading.

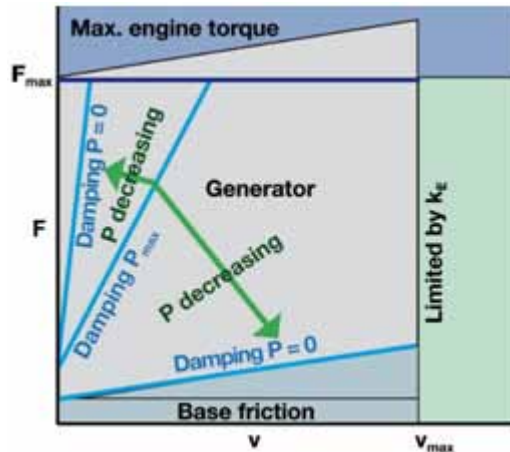


Fig. 26. Characteristic curve and application area of e-Suspension

If one assumes “normal” amplitudes of 10 to 30 mm in accordance with profile A and B, the resulting regenerative power ranges from 20 to 30 W. This is too little power to justify high volume production purely on the grounds of energy regeneration. Another option is if the damper can also be used in the chassis as an actuating element [11]. The derivation of the underlying function equations of the damper is performed using the quarter vehicle model [10].

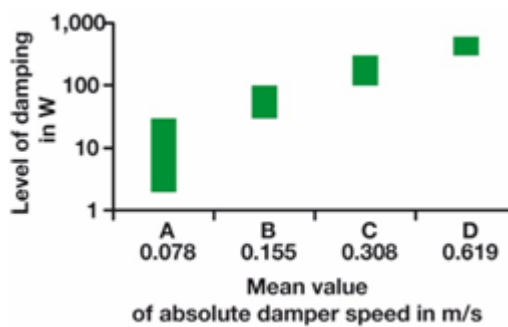


Fig. 27. Measured power generated function of damping force

The installed electrical output of around 1.9 kW per wheel enables active engagement in the chassis. The characteristic diagram of the electromechanical damper is shown in Figure 28. The overload capability is a result of the centrifugal brake function.

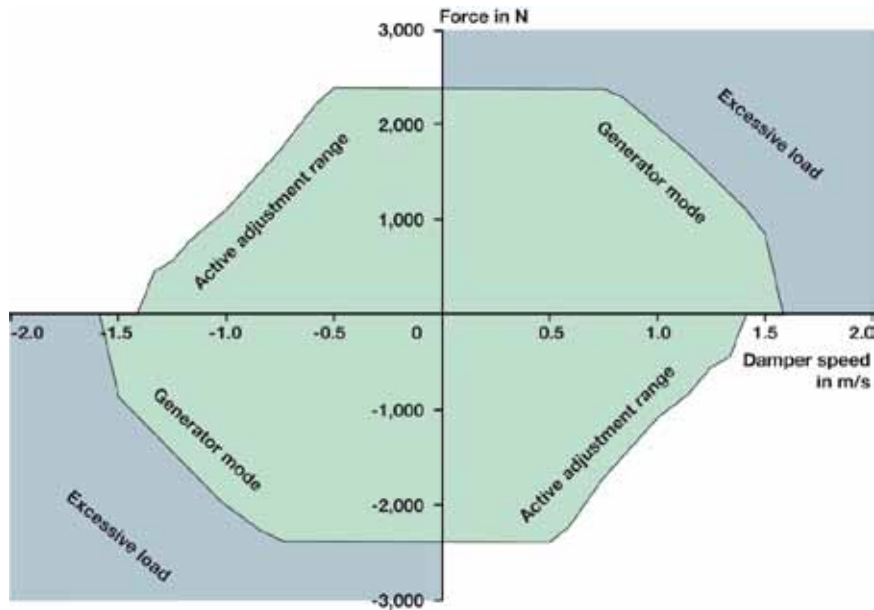


Fig. 28. Characteristic diagram of the active electromechanical damping with generator mode and active adjustment range

With the active electromechanical damping, the entire range [12] of a possible influence on the driving dynamics can be extended, thereby significantly boosting the benefit for customers. The series production use of technology now depends on customer acceptance, which is to be studied over the coming months.

4 Outlook

The range of the chassis applications offered by Schaeffler requires a multi-pronged approach when developing new products. Firstly, customers in an extremely cost-driven and competitive market should be provided with added value when it comes to bearing applications; this can be achieved by offering innovative developments. Secondly, mechanically oriented innovations form a sound basis for designing new mechatronic chassis systems. In addition, the task for Schaeffler engineers is also to create and realize added with new and trend-setting concepts. The objective of all

these efforts is to generate function added value particularly in terms of power density, energy efficiency, weight and functional integration as well as to create cost benefits compared to today's technology. To do this, the broad knowledge and experience held within the Schaeffler Group as well as that experience of selected cooperation partnerships will be used in a specific manner.

References

1. Ammon, D.: Herausforderung Fahrwerkstechnik, Tagungsband Chassistechnik 2009, pp. 1-24
2. Krüger, M., Kraftfahrzeugelektronik, 2008, 2. Auflage, S. 21 ff
3. von Hugo, C., The next step towards autonomous driving. 22nd Aachen Symposium, 2013, pp. 751-765
4. Krimmel, H.; Deiss, H.; Runge, W.; Schür, H.: Elektronische Vernetzung von Antriebsstrang und Fahrwerk. ATZ 108, 2006, no. 5, pp. 368-375
5. Beiker, S.; Mitschke, M.: Verbesserungsmöglichkeiten des Fahrverhaltens von Pkw durch zusammenwirkende Regelsysteme. ATZ 103, 2001, no. 1, pp. 38-43
6. Hohenstein, J.; Schulz, A.; Gaisbacher, D.: Das elektropneumatische Vorderachsliftsystem des Porsche 997 GT3. ATZ 112, 2010, no. 9, pp. 622-626
7. Kraus, M.: Actuators for Challenging Chassis. 8th LuK Symposium, 2006
8. US patent 5091679, 1990
9. Kraus, M.: Chassis Systems — Schaeffler Can Do More Than Bearings. 9th Schaeffler Symposium, 2010
10. <http://web.mit.edu/newsoffice/2009/shock-absorbers-0209.html>
11. Willems, M.: Chances and Concepts for Recuperating Damper Systems. 21st Aachen Symposium, 2012
12. Rau, M.: Koordination aktiver Fahrwerk-Regelsysteme zur Beeinflussung der Querdynamik. Dissertation University of Stuttgart, 2007, pp. 91-122.

